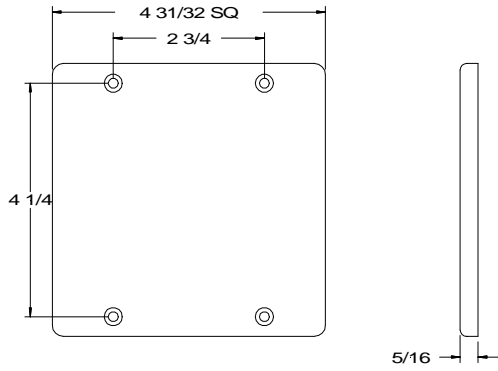
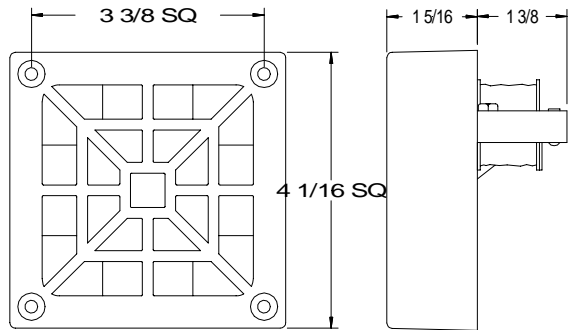


# Product Dimensions

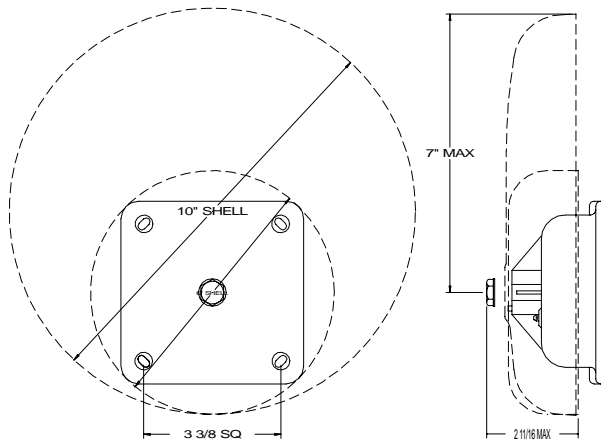
## SERIES SM/DSM



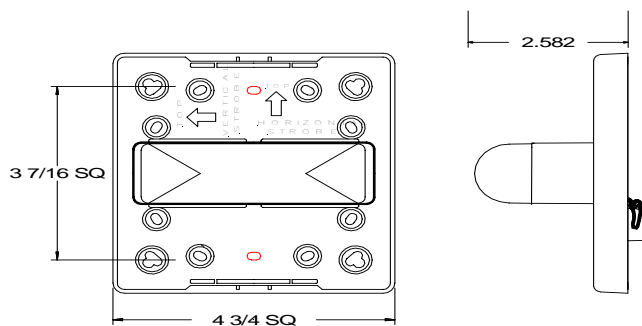
## SERIES 31T



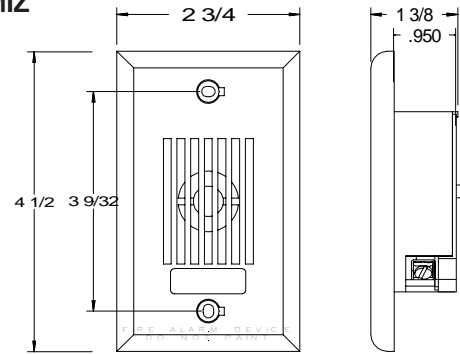
## SERIES MB & 43T BELLS



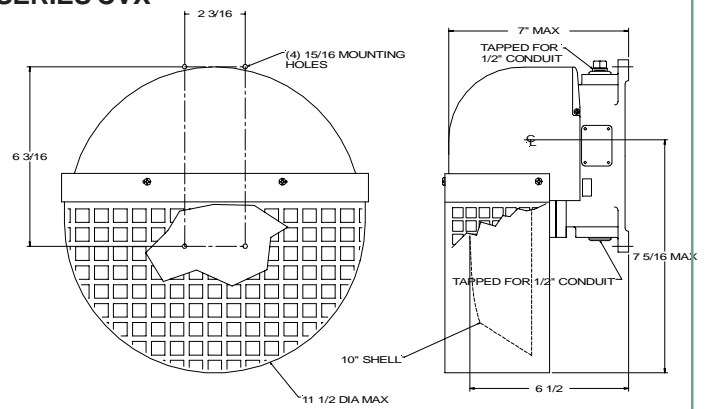
## SERIES RSS



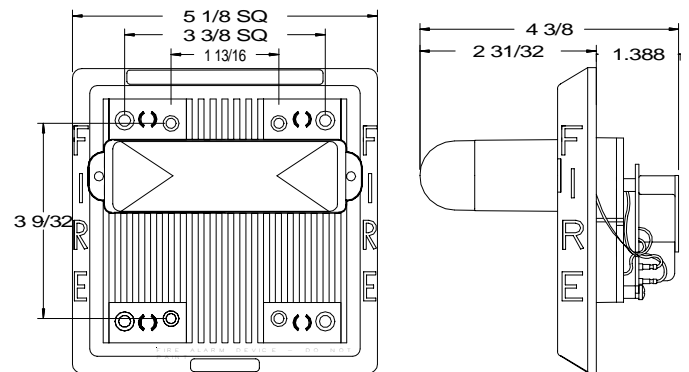
## SERIES MIZ



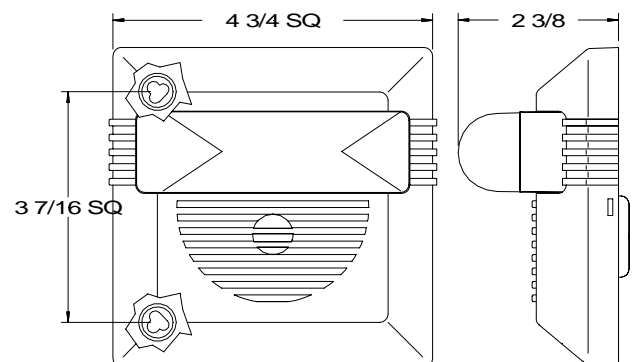
## SERIES CVX



## SERIES AMT, HS4, MT



## SERIES NS, NH



02/05