

TECHNICAL ENGINEERING SUPPORT APPLICATION NOTICE (TESAN)

Subject: Installation help for the UTA-WH-VPS

Technical Support Engineering Department has received many calls concerning the wiring and installation of the Universal Telephone Alert with Strobe. This TESAN is provided in order to clarify the installation sheet (P82969) and to provide a quick reference sheet to assist installers.

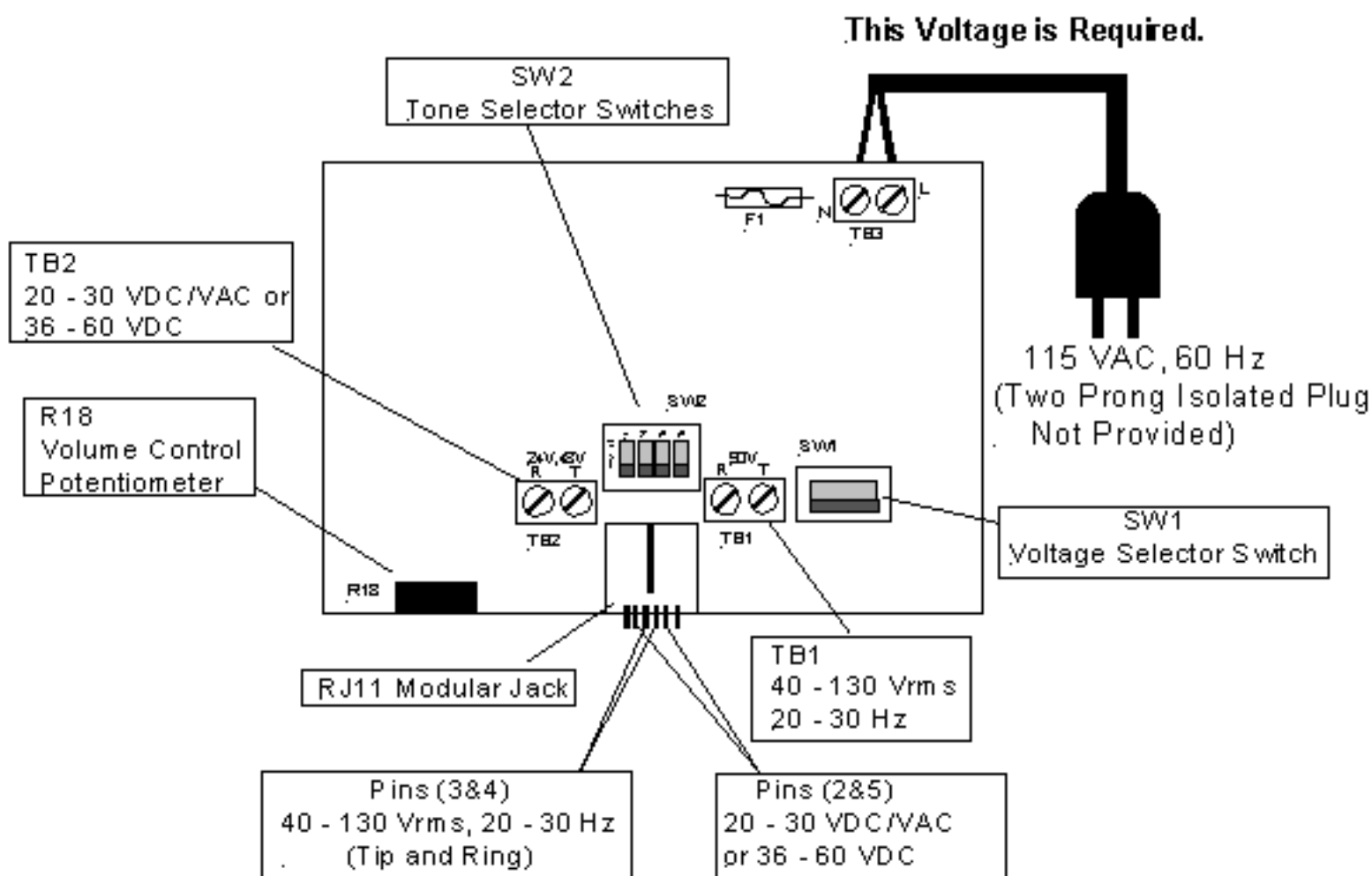
Fred Shearer
 Technical Support Engineer
 Technical Documentation

TESAN-T002-99

March 29, 1999

UTA-WH-VPS

UNIVERSAL TELEPHONE ALERT WITH STROBE



- **CONNECT 115 VAC, 60 Hz TO TB3. THIS IS REQUIRED TO PROVIDE OPERATING POWER TO THE STROBE AND THE SOUNDER.**
- **CONNECT A TRIGGER VOLTAGE TO TB1 OR TB2, OR THE RJ11 MODULAR JACK.**
- **ALL SWITCHES ARE SHOWN IN THE OFF ("0") POSITION.**

Input Voltage (SW1) and Tone Selection (SW2)						
Input Voltage	Tone	Switch Settings ("1" = ON.) ("0" = OFF.) ("X" = Any Setting.)				
		SW1	SW2			
		POS 1	POS 1	POS 2	POS 3	POS 4
24VDC/VAC or 48VDC	Horn	1	1	0	1	1
	Bell	1	1	0	1	0
	Vibrating Chime	1	1	0	0	0
	Single Chime	1	1	1	0	1
	No Sound	1	0	X	X	X
90Vrms 20-30Hz	Horn	0	1	0	1	1
	Bell	0	1	0	1	0
	Vibrating Chime	0	1	0	0	0
	Single Chime	0	1	1	0	1
	No Sound	0	0	X	X	X